

HMM ALUMINIUM PRIVATE LIMITED

Registered Office: CK-67/73, Nai Sarak, Varanasi

Uttar Pradesh-221001

Email ID: hmmaluminium@gmail.com

FACTORY ADDRESS

PLOT NO- E86 to E88 & F6 to F8

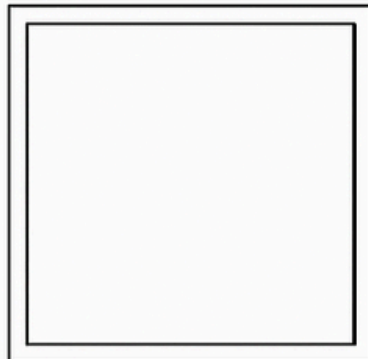
INDUSTRIAL AREA, RAMNAGAR, PHASE-2

CHANDAULI (U.P.)

FLAT BAR



SQUARE TUBE



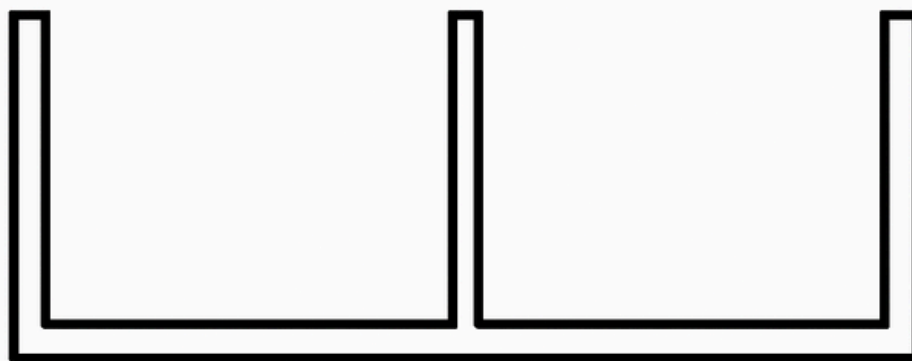
RECTANGULAR TUBE



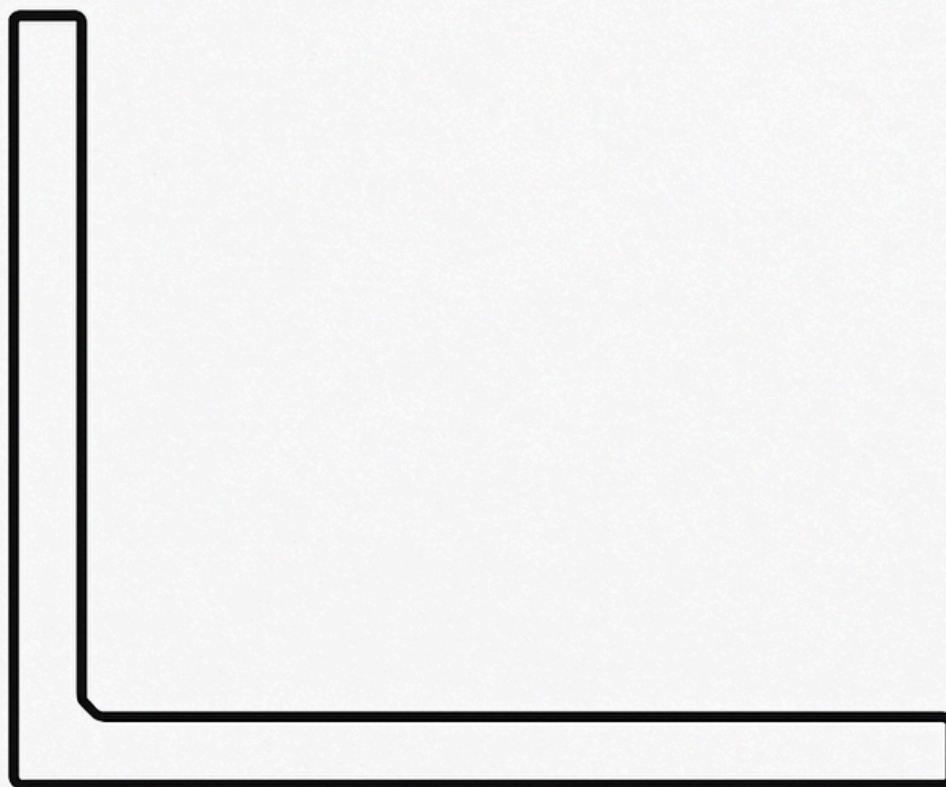
SINGLE CHANNEL



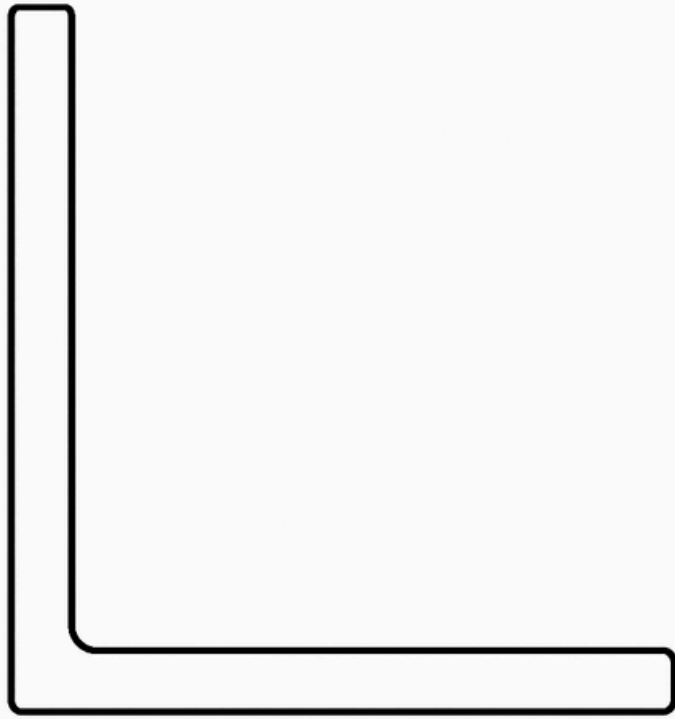
DOUBLE CHANNEL



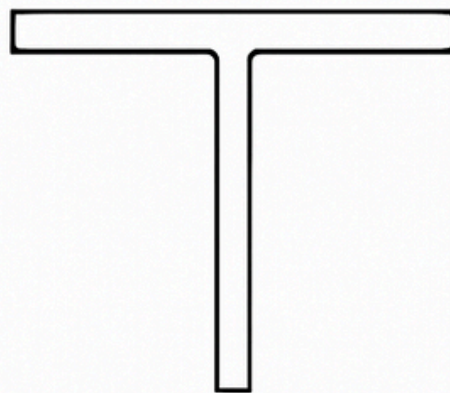
EQUAL ANGLE



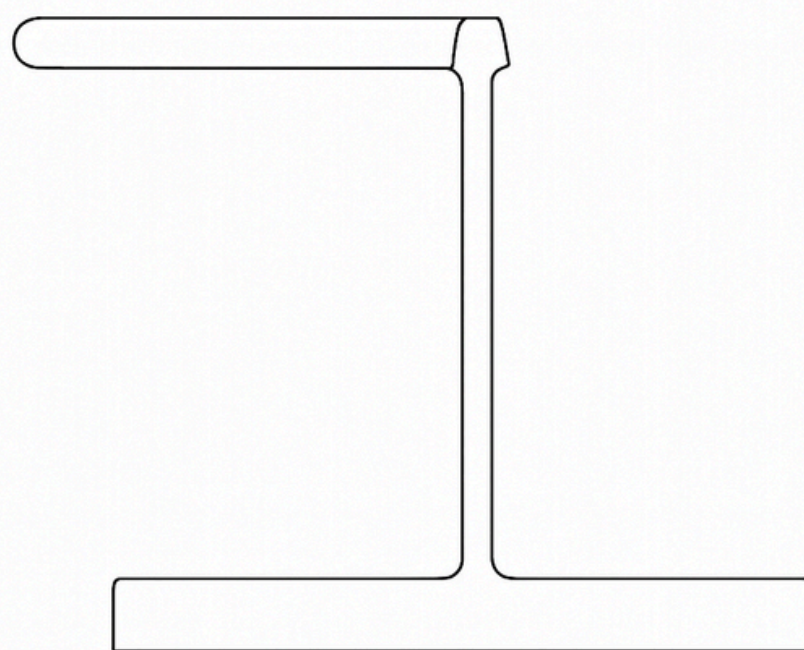
UNEQUAL ANGLE



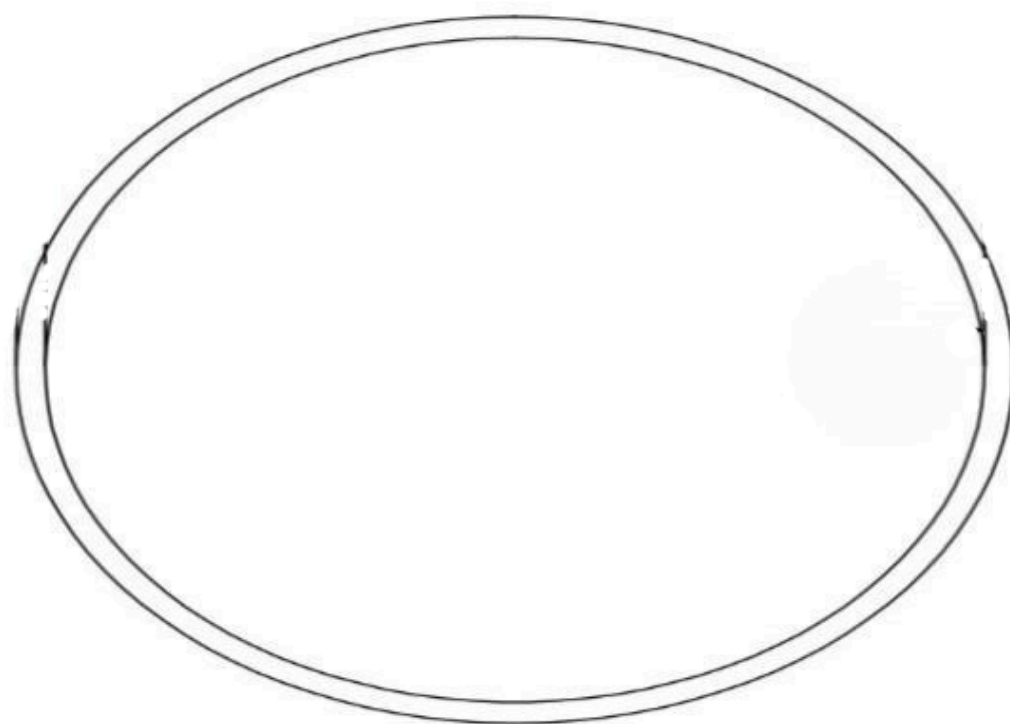
PLAIN TEE



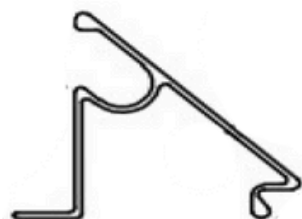
BULB TEE



ROUND TUBE



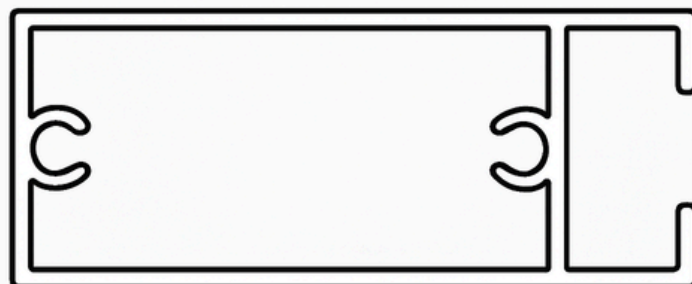
GLAZING CLIP



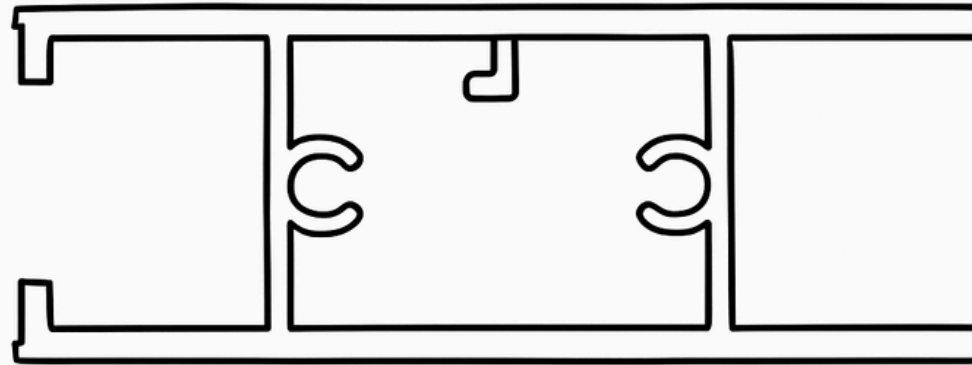
GLAZING PLATE



HANDLE 18MM



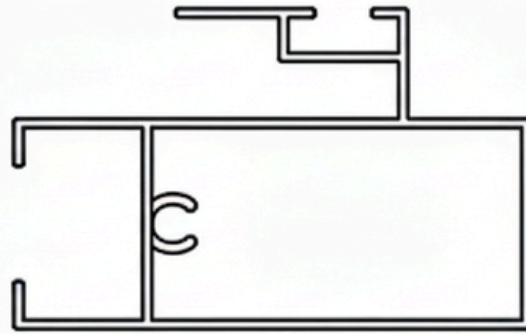
TOP BOTTOM 18MM



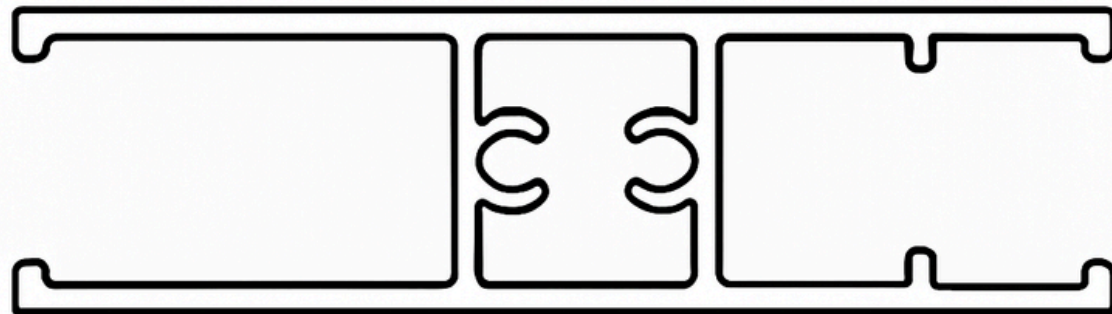
MIDDLE 18MM



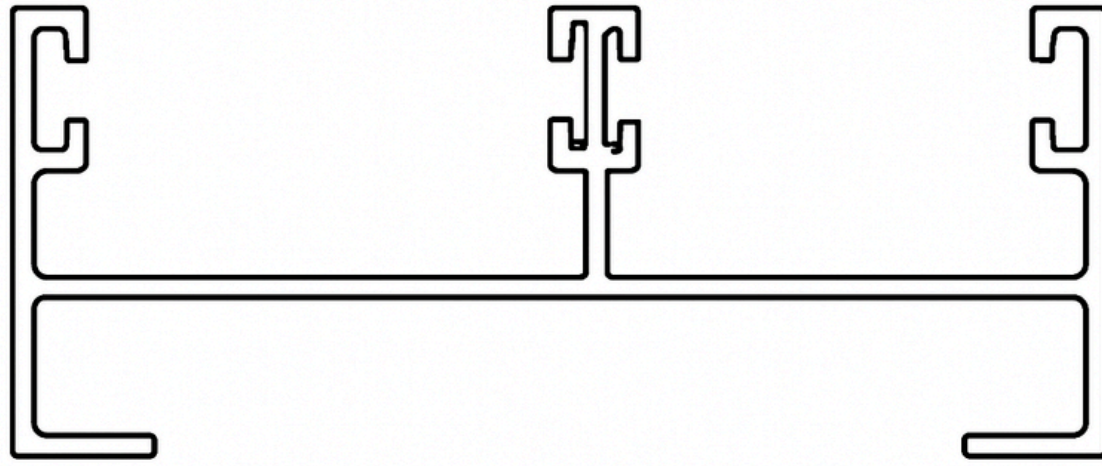
INTERLOCK 18MM



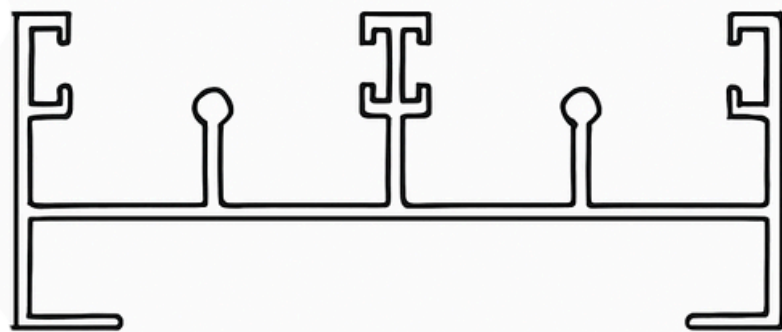
BEARING BOTTOM 18MM



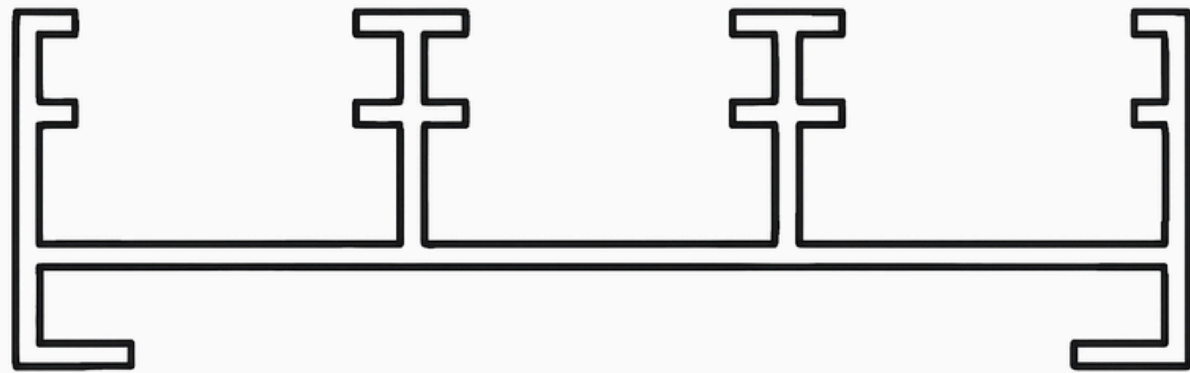
TWO TRACK TOP 18MM



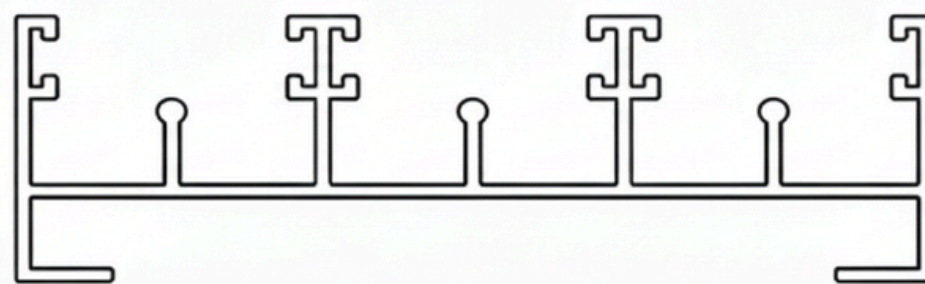
TWO TRACK BOTTOM 18MM



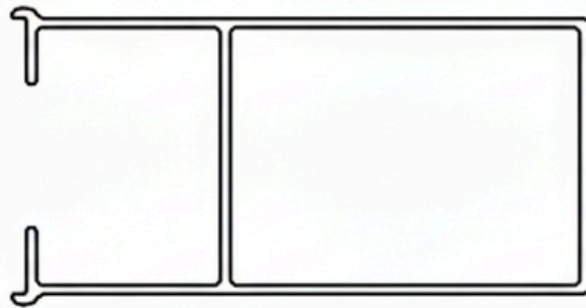
THREE TRACK TOP 18MM



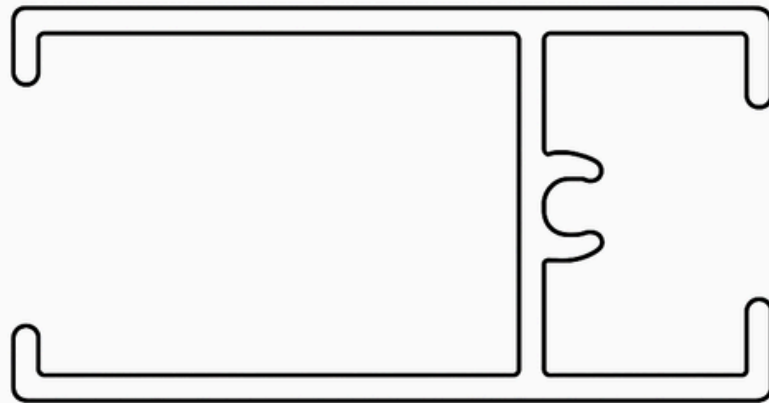
THREE TRACK BOTTOM 18MM



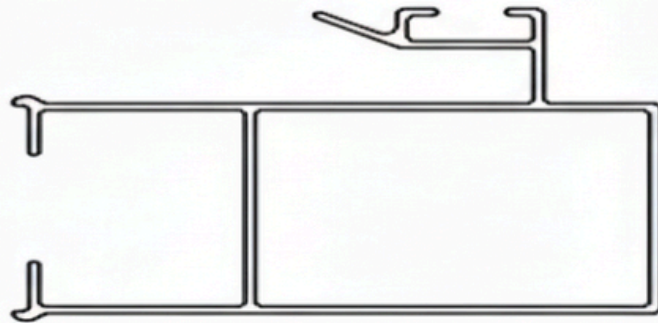
A - SECTION - 20MM



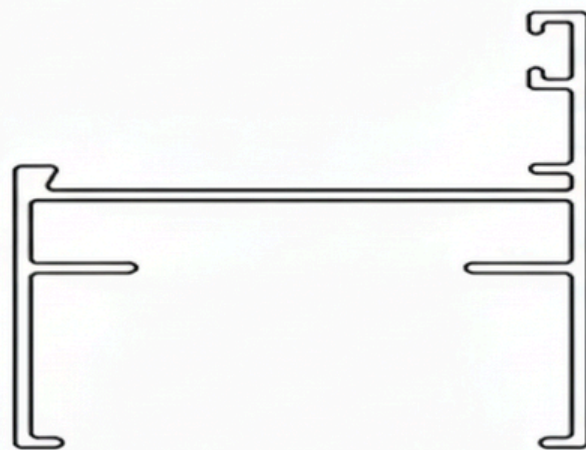
H-SECTION-20MM



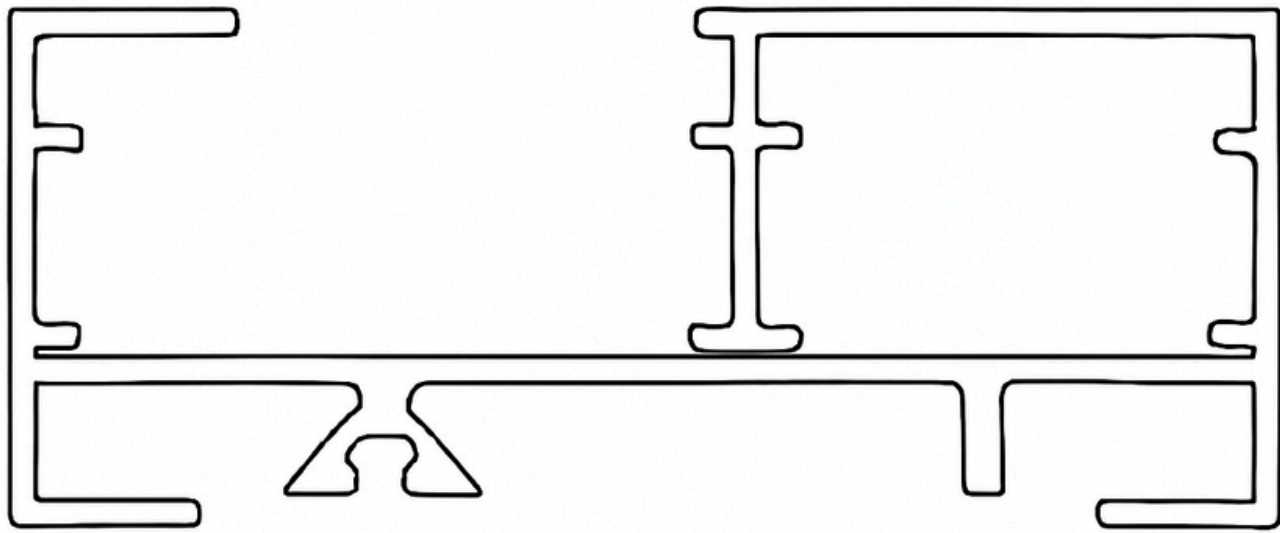
INTERLOCK - 20MM



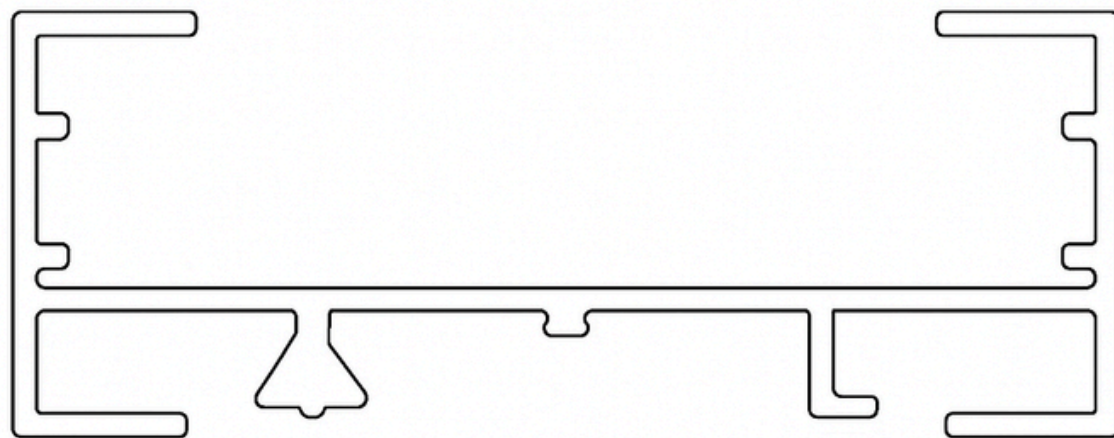
OUTER Z - 20MM



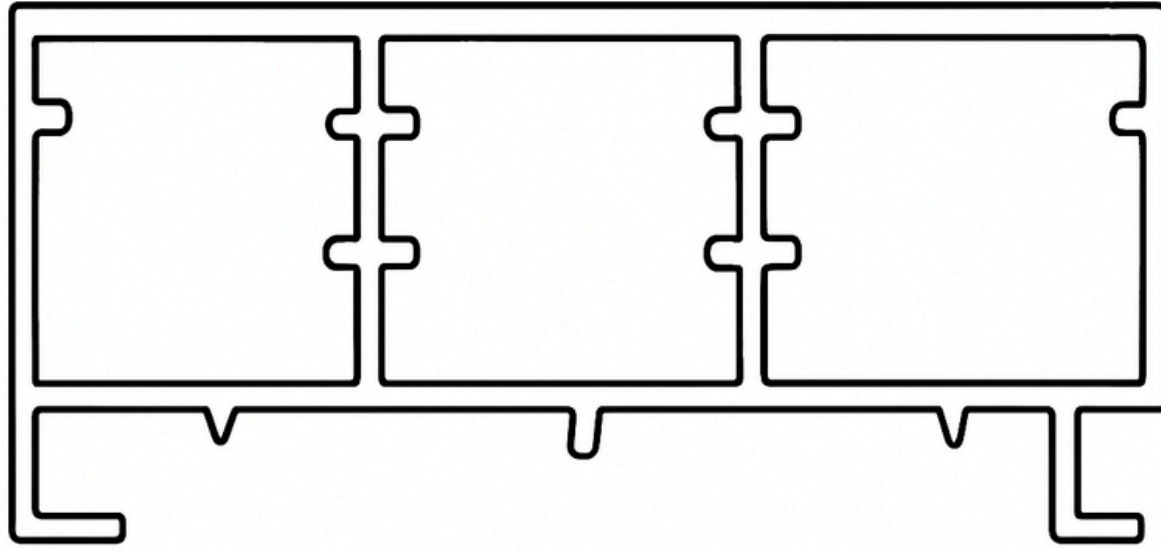
TWO TRACK TOP - 20MM



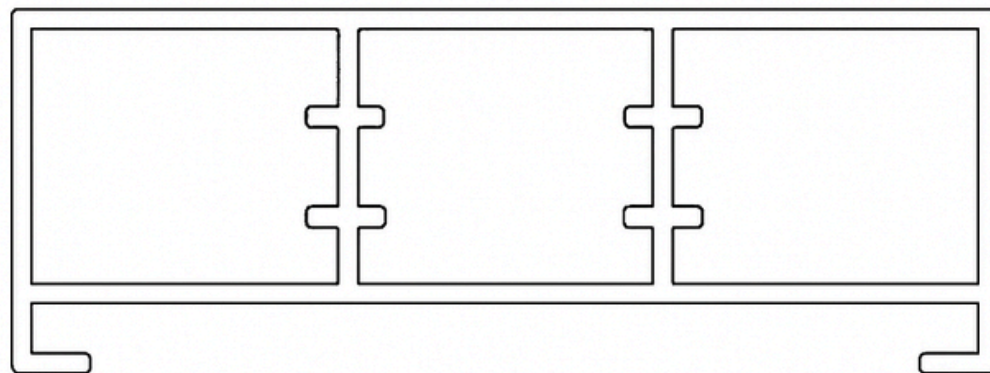
TWO TRACK BOTTOM - 20MM



THREE TRACK TOP - 20MM



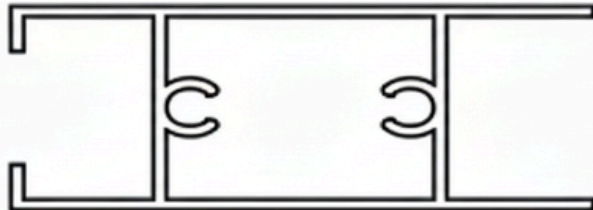
THREE TRACK BOTTOM - 20MM



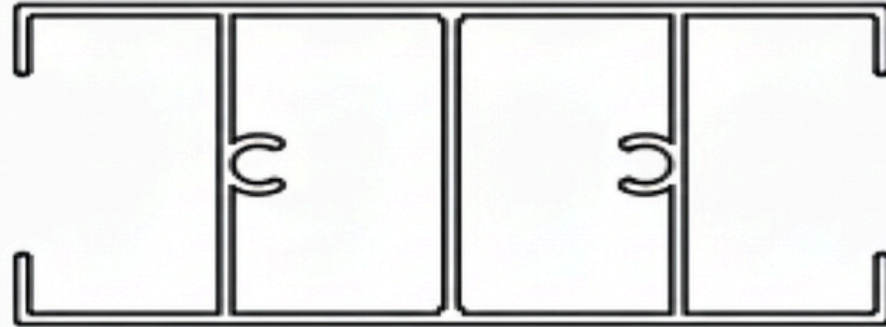
HANDLE 25MM



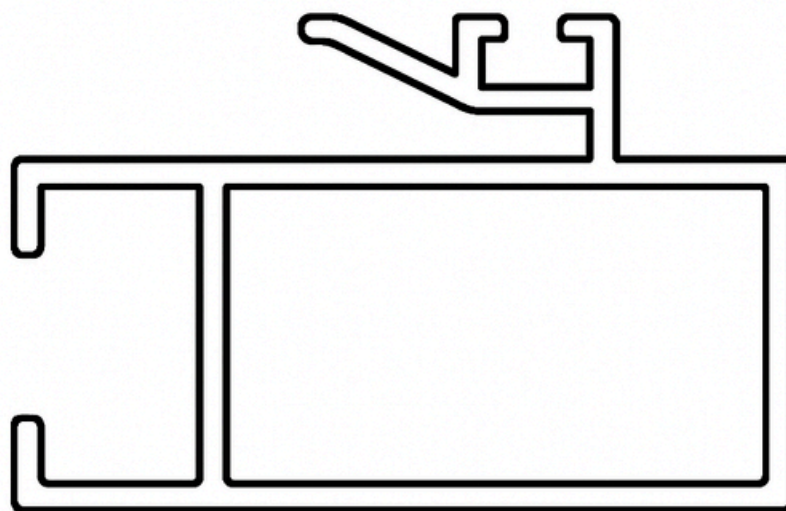
TOP BOTTOM 25MM



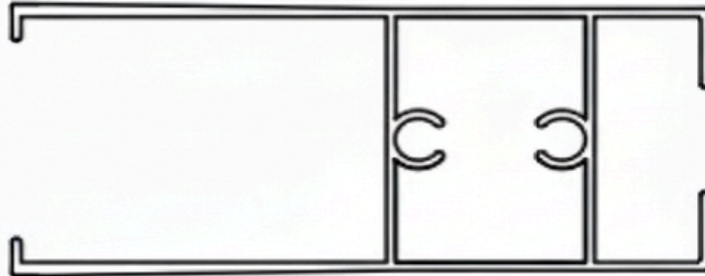
MIDDLE 25MM



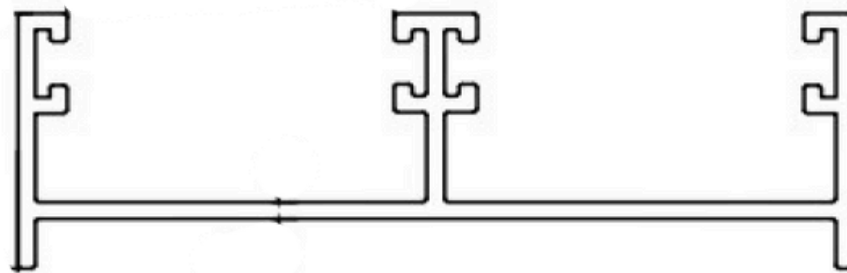
INTERLOCK 25MM



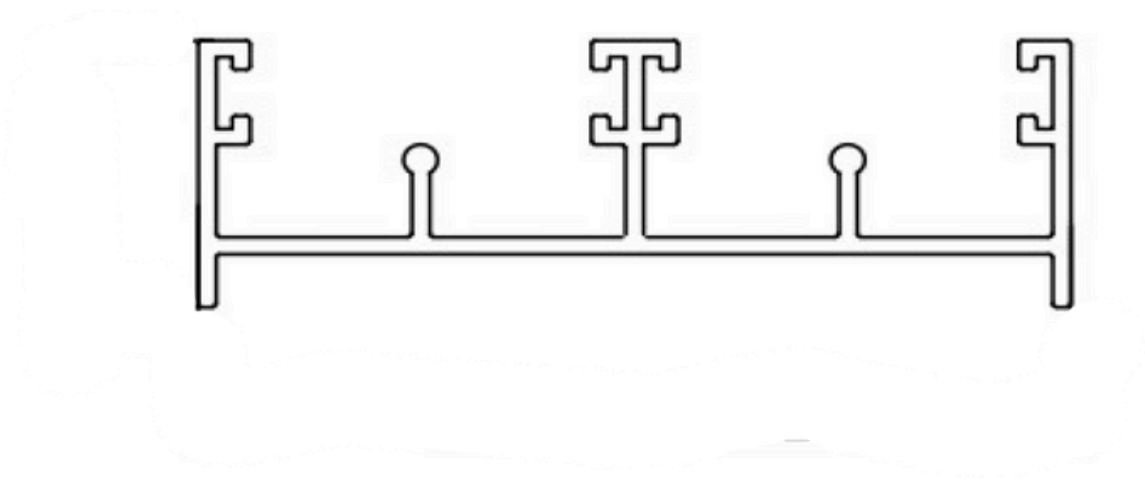
BEARING BOTTOM 25MM



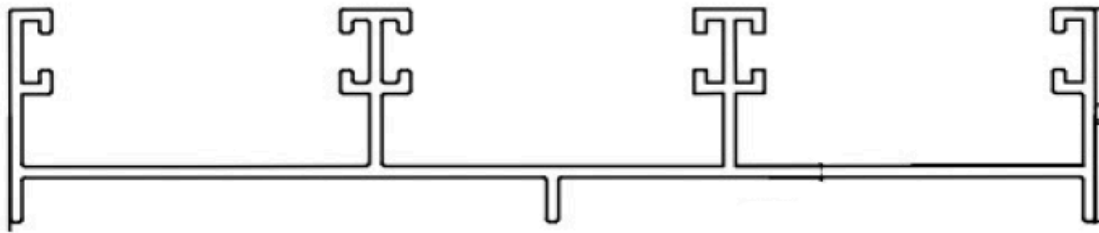
TWO TRACK TOP 25MM



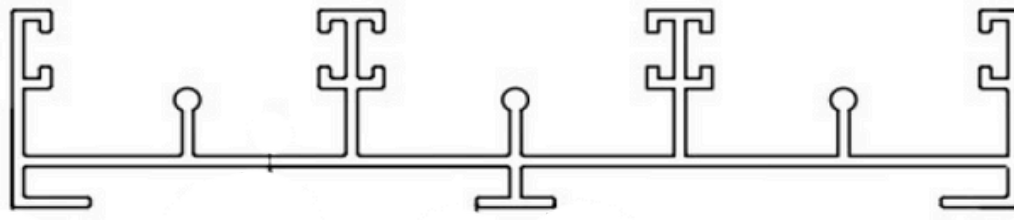
TWO TRACK BOTTOM 25MM



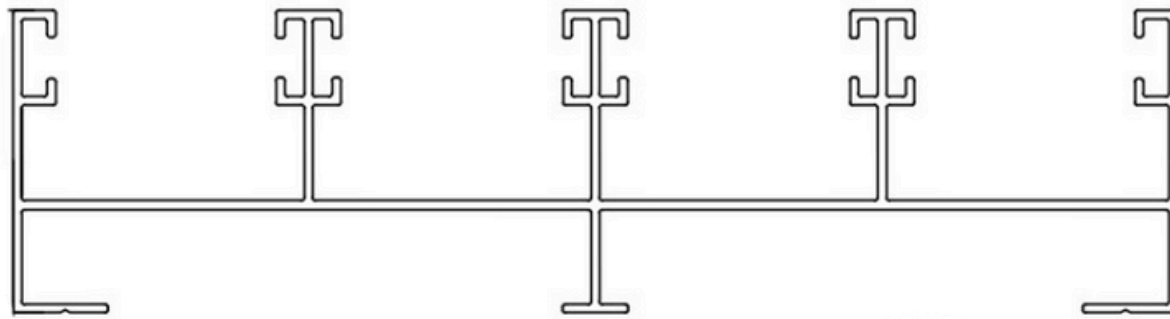
THREE TRACK TOP 25MM



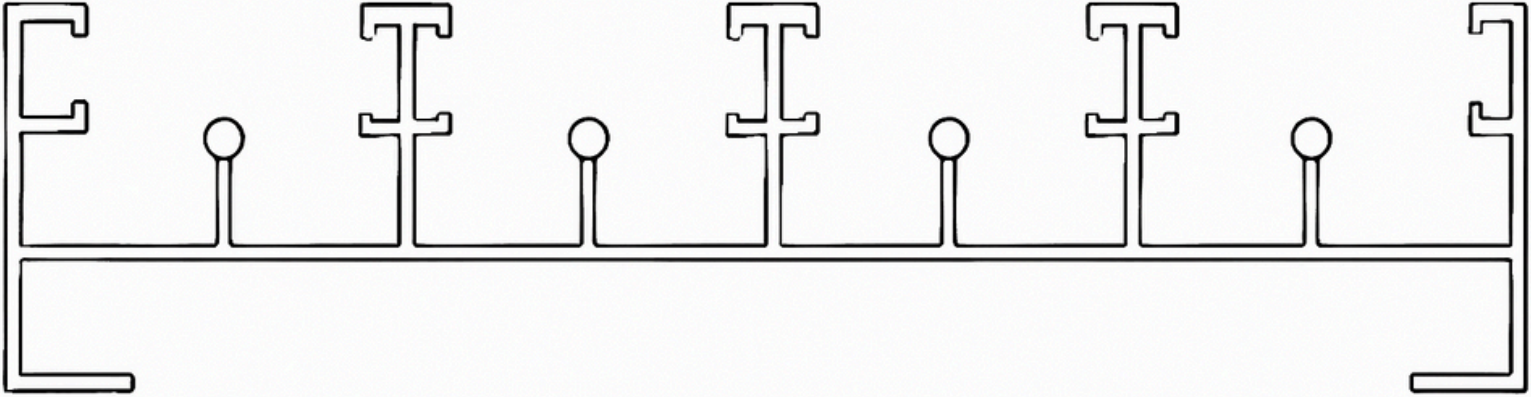
THREE TRACK BOTTOM 25MM



4. TRACK TOP



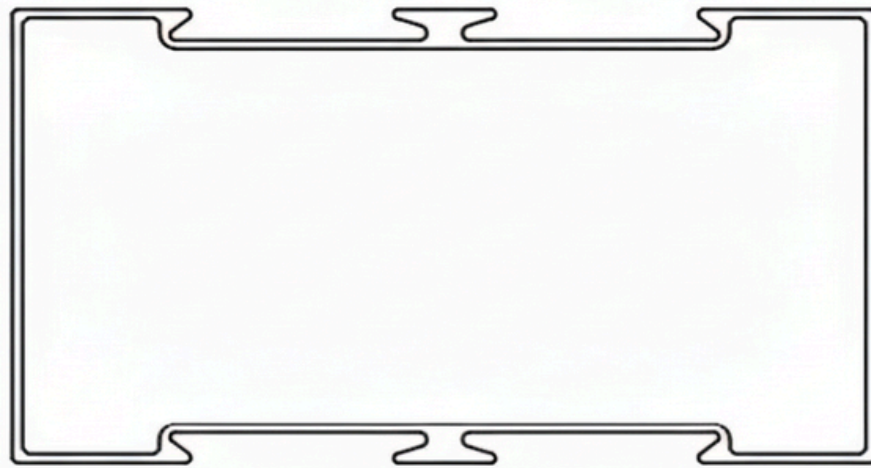
4. TRACK BOTTOM



SINGLE GROOVE



DOUBLE GROOVE



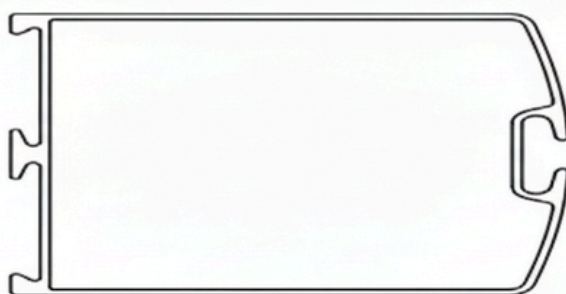
DOOR MIDDLE SINGLE



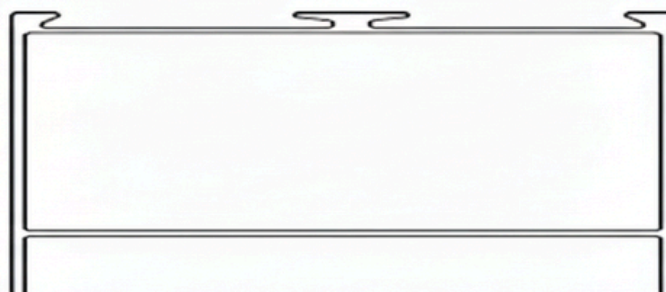
DOOR MIDDLE DOUBLE



DOOR VERTICAL



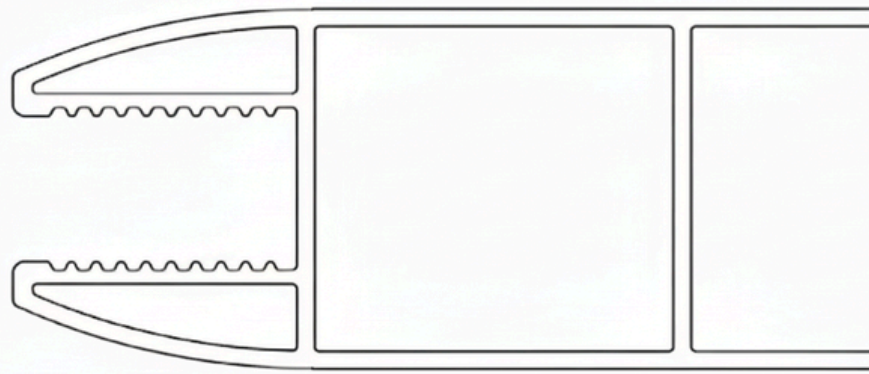
DOOR TOP



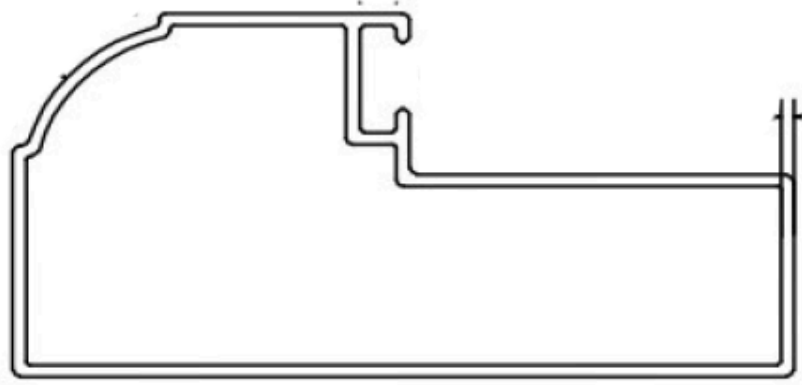
DOOR BOTTOM



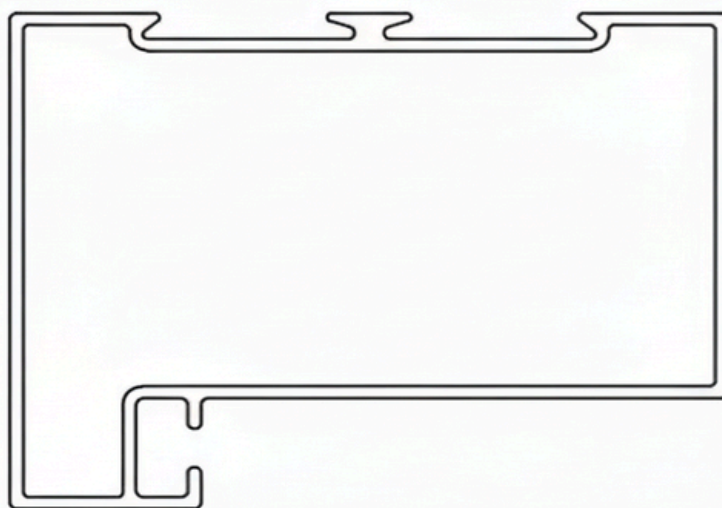
GLASS BOTTOM



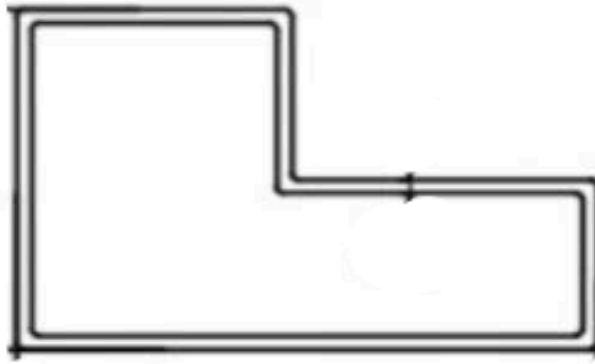
DOOR FRAME MOULDING



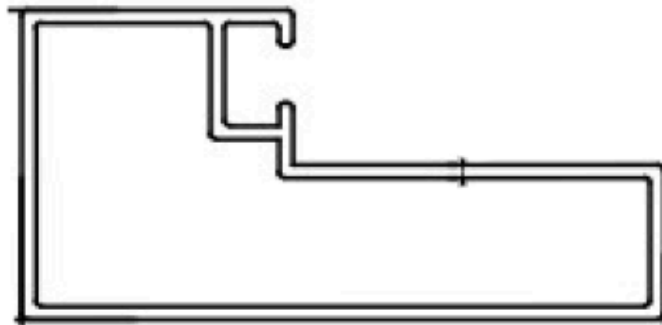
SINGLE LEG S.P



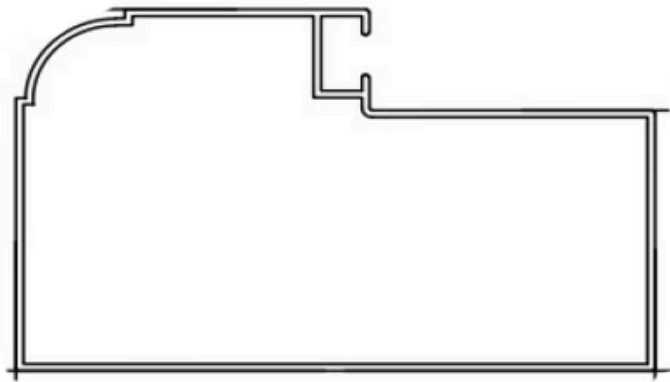
DOOR FRAME



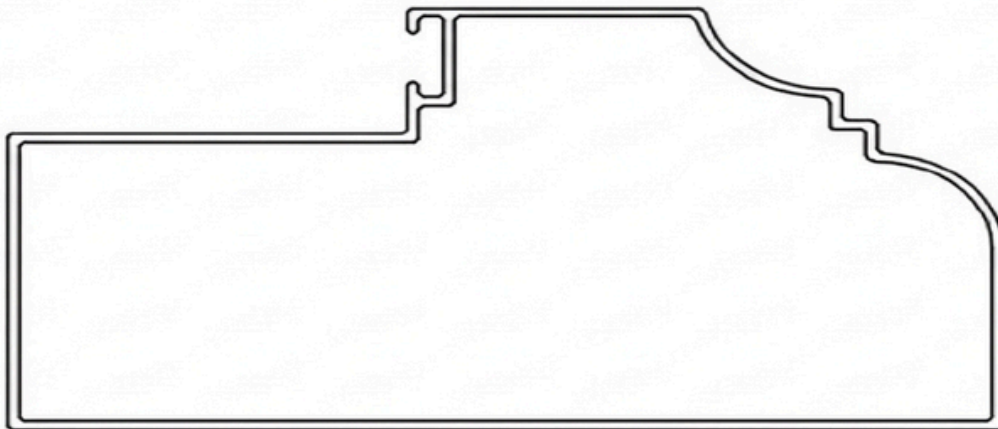
DOOR FRAME



DOOR FRAME MOULDING



DOOR FRAME MOULDING



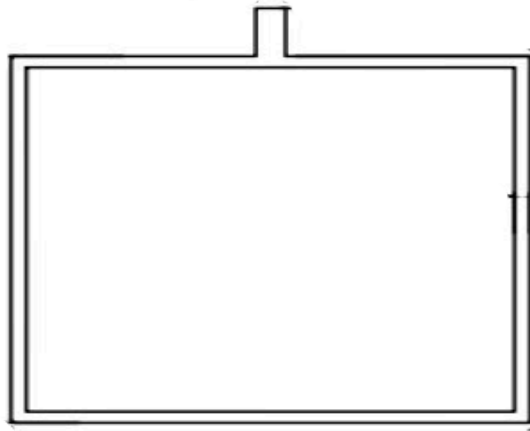
MOULDING HANDLE



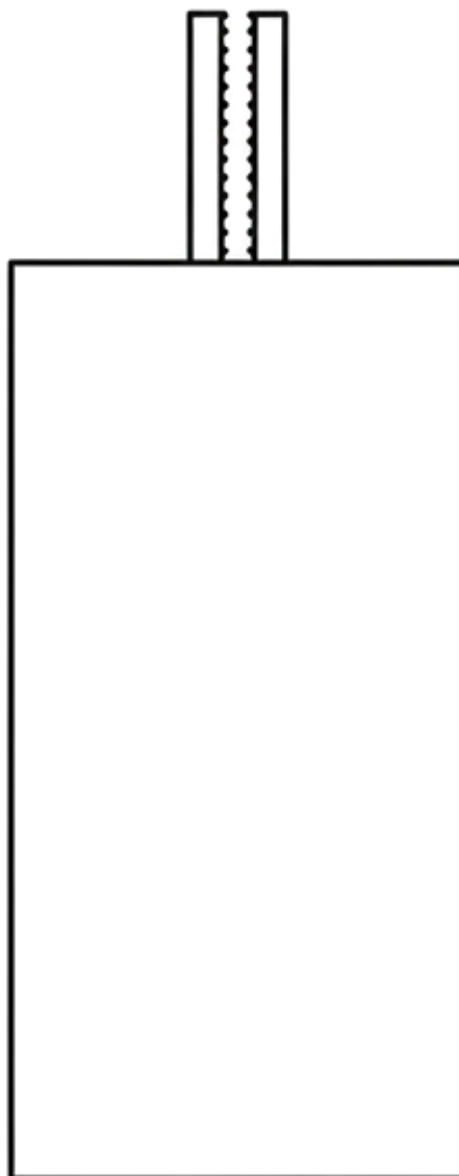
MOULDING MIDDLE



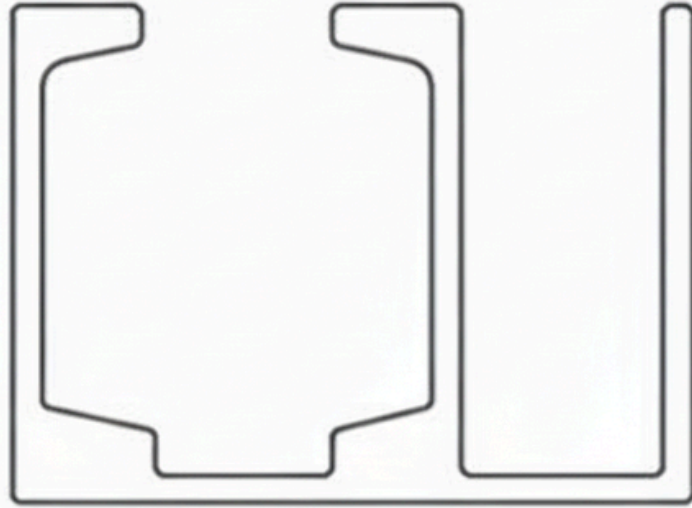
STRUCTURAL GLAZING



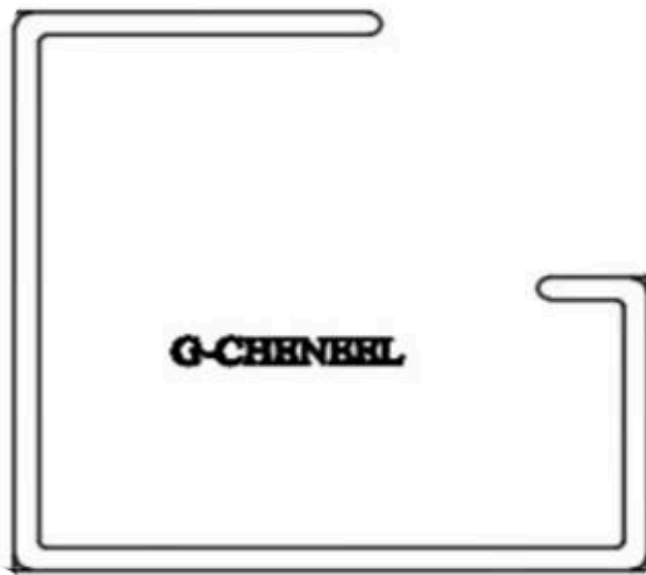
STRUCTURAL GLAZING



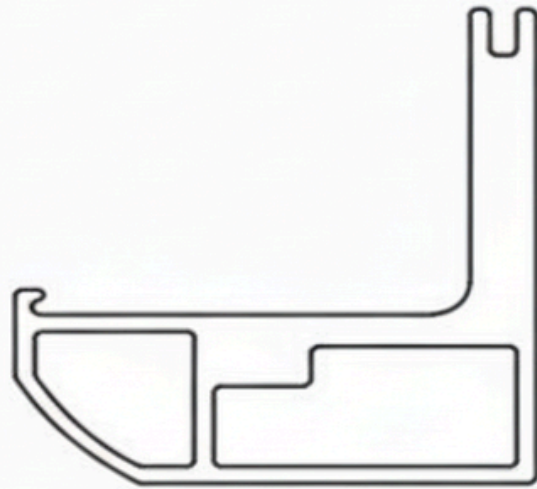
SLIDING GLASS CHANNEL



G - CHANNEL



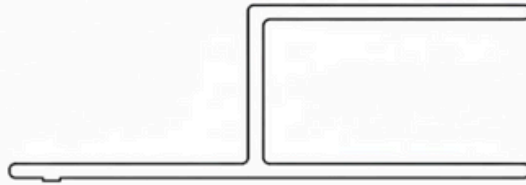
ELECTRICALS



ELECTRICALS



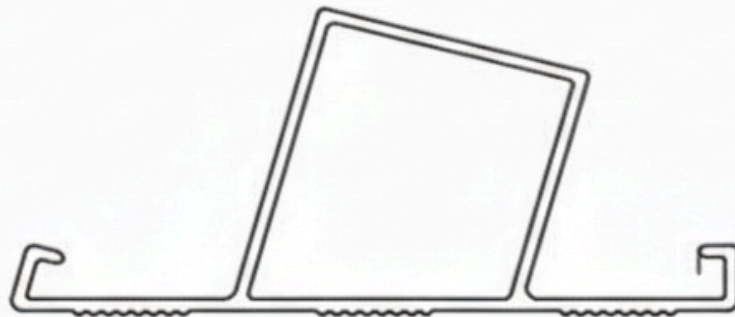
Y-CLIP



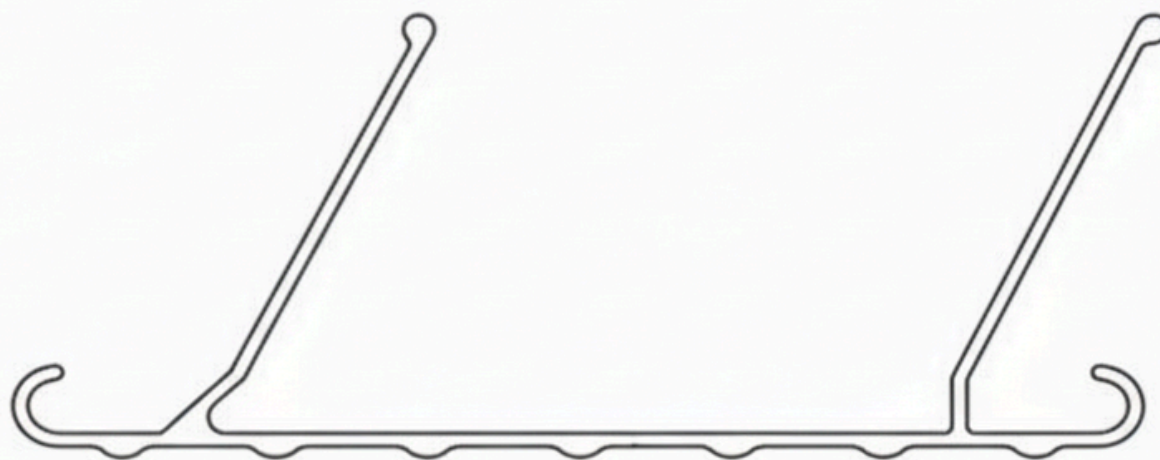
LADDER SIDE



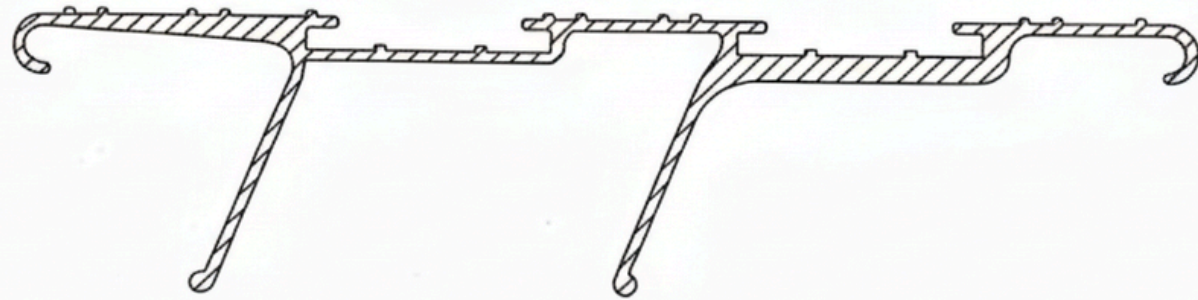
LADDER STEP



LADDER STEP



LADDER STEP



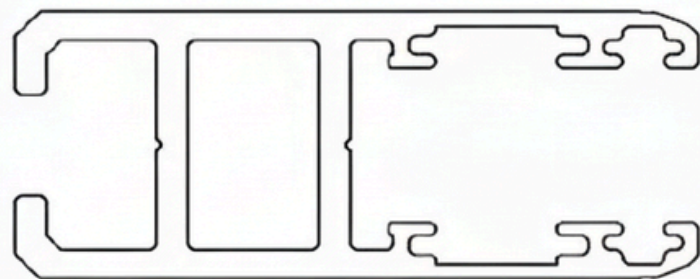
RECTANGULAR TUBE (RADIUS)



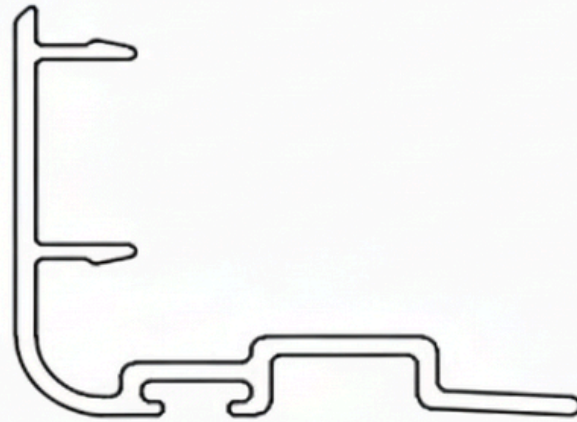
RECTANGULAR TUBE (RADIUS)



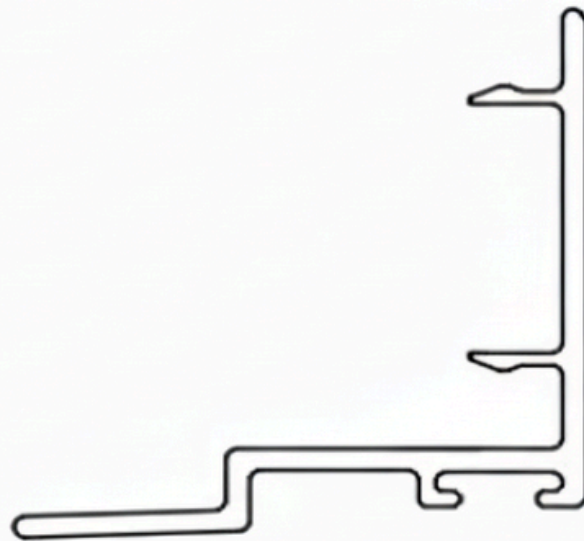
SLIDING SHUTTER SECTION



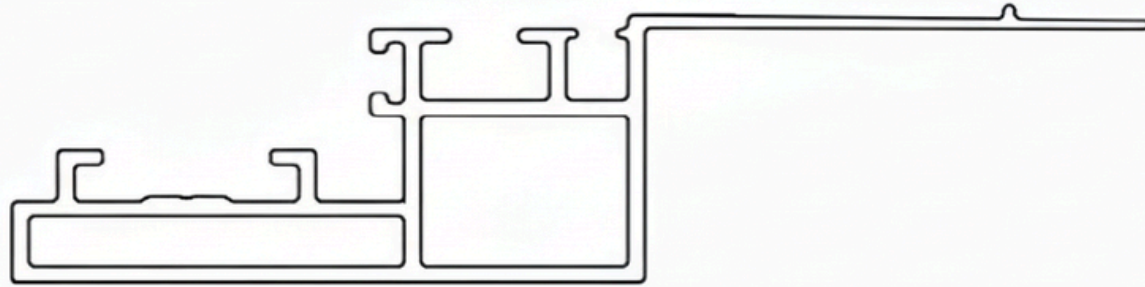
SLIDING INTERLOCK



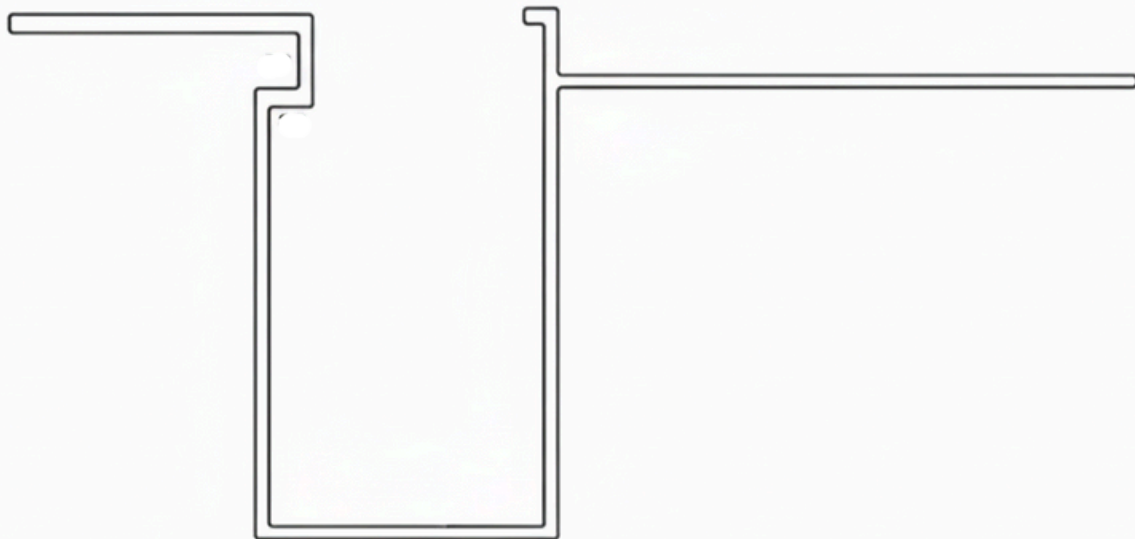
SLIDING INTERLOCK



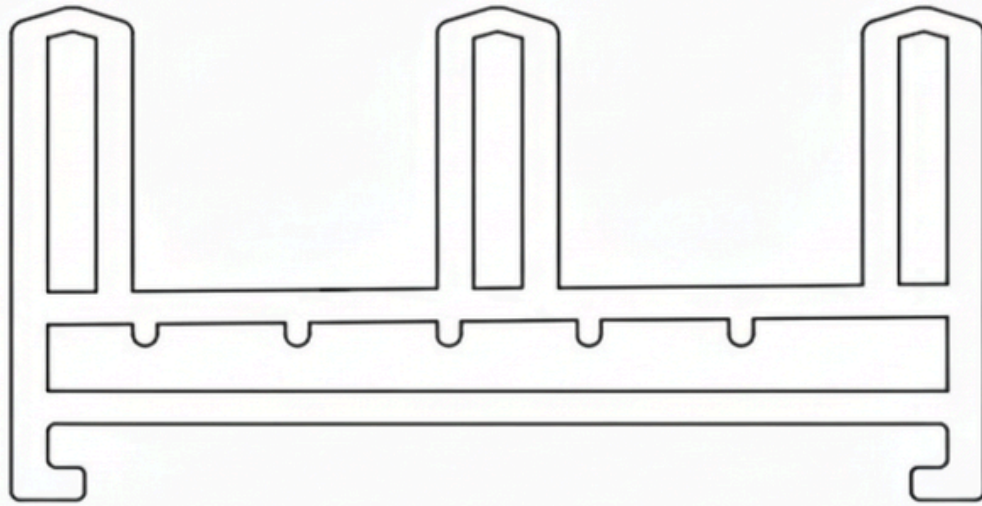
SLIDING INTERLOCK



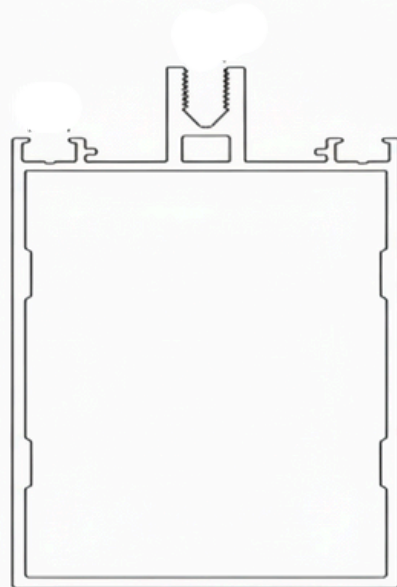
SLIDING U CHANNEL



THREE TRACK SLIDING



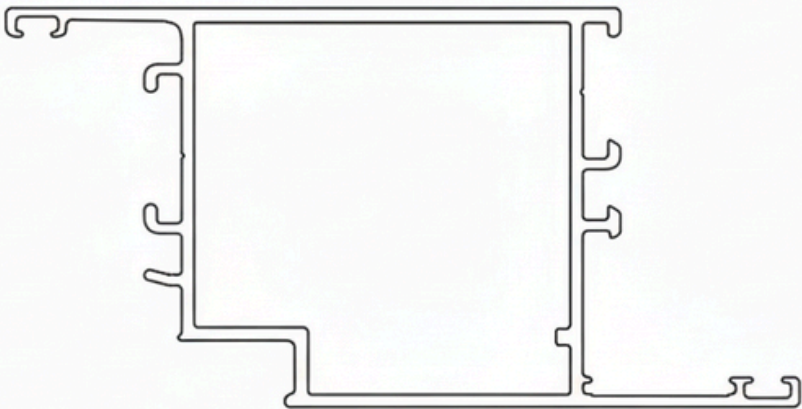
MULLION 121MM



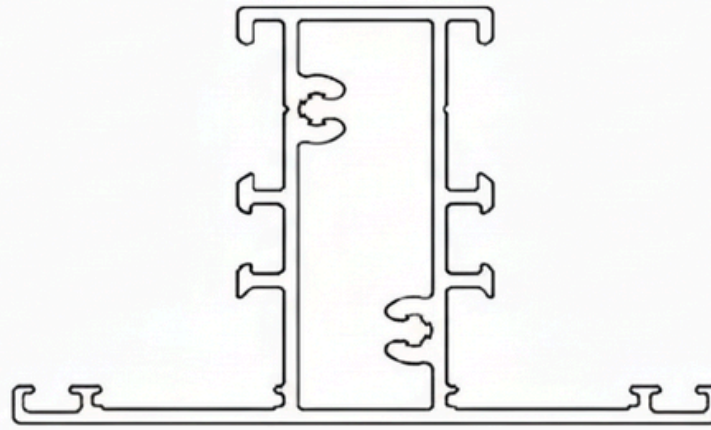
MULLION 124MM



VENT OPEN INSIDE



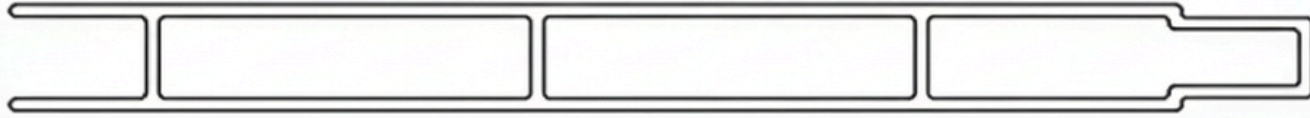
DIVIDER PROFILE



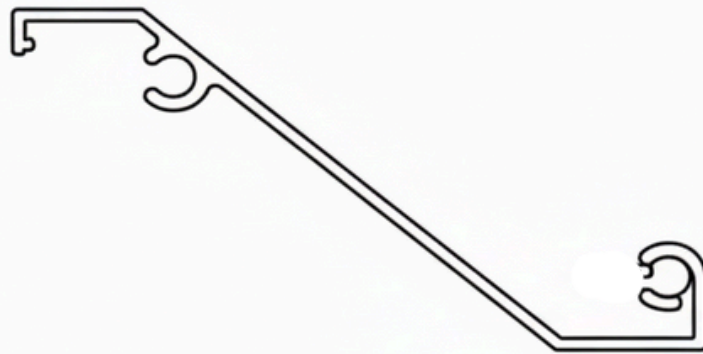
COVER PLATE



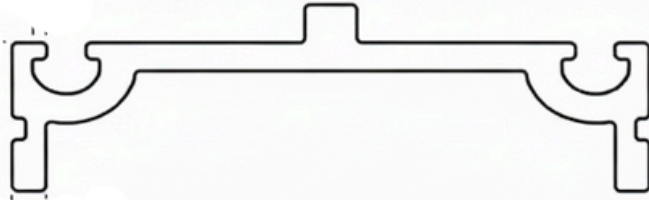
SLIM GLASS SECTION



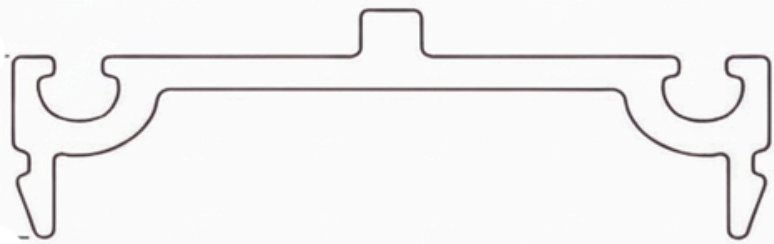
LOUVERS PROFILE



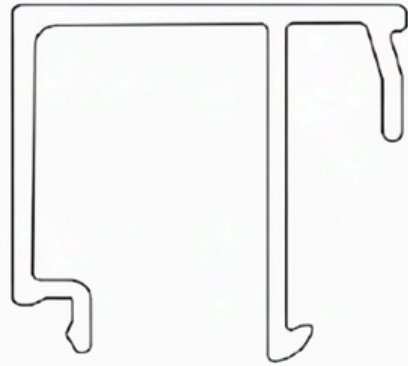
PRESSURE PLATE



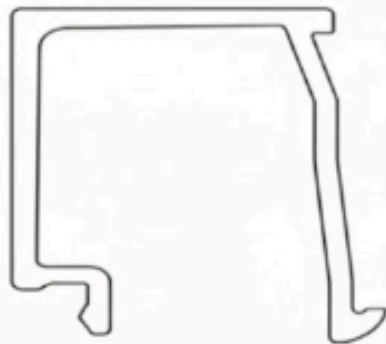
PRESSURE PLATE CARVED



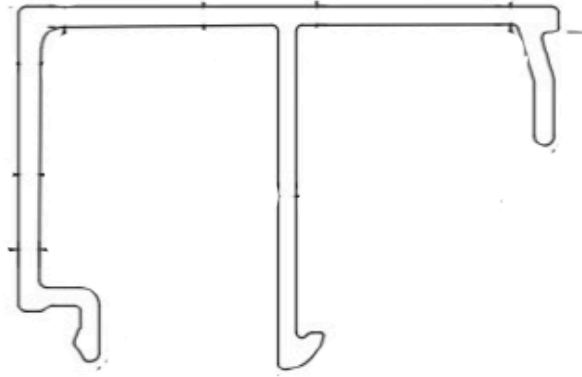
GLAZING BEAD



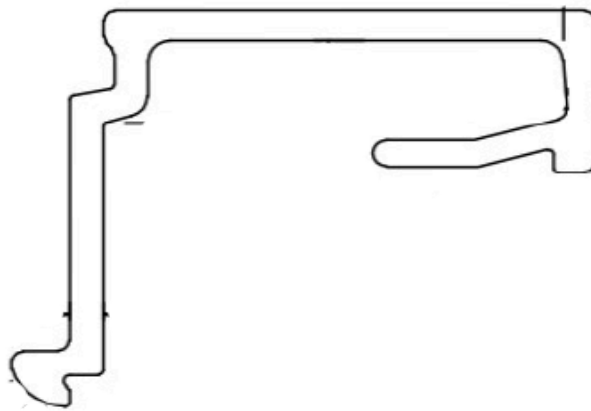
GLAZING BEAD



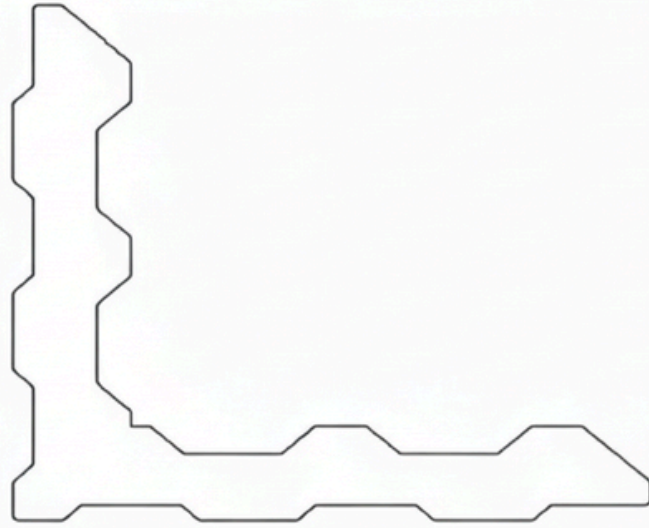
GLAZING BEAD



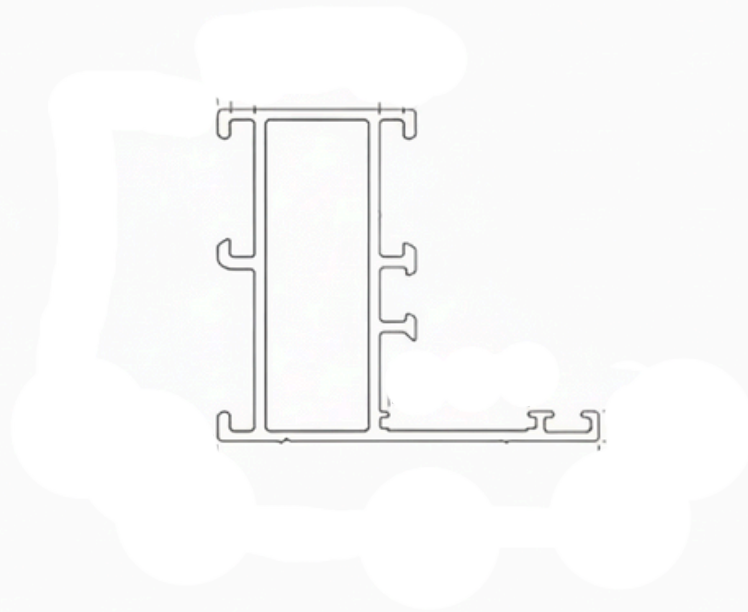
GLAZING BEAD



CORNER CLEAT OUTER FRAME



OUTER FRAME



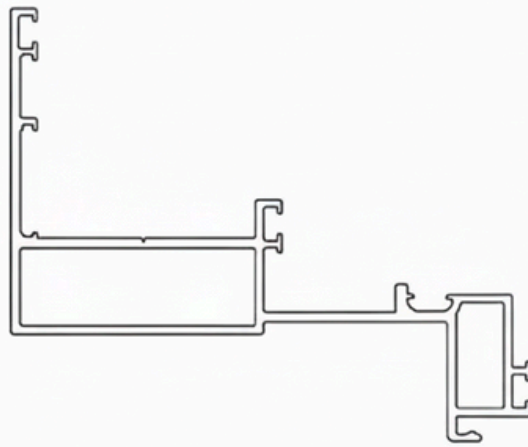
GLASS SUPPORT



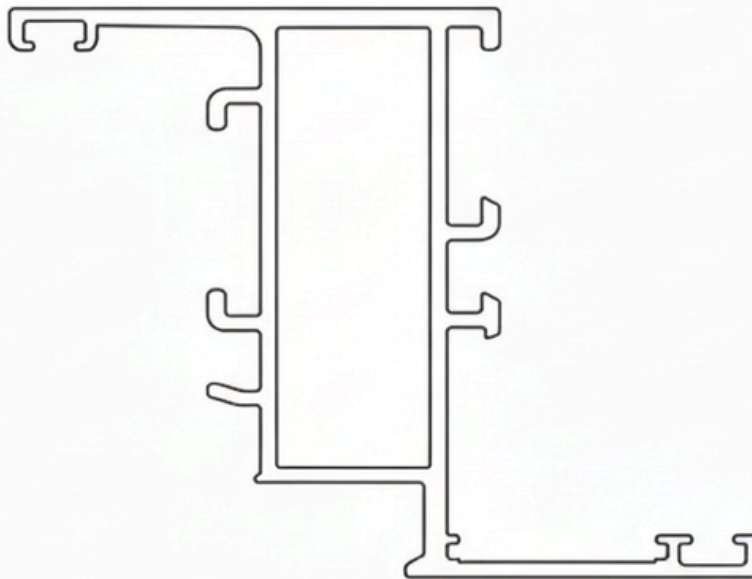
GLASS SUPPORT



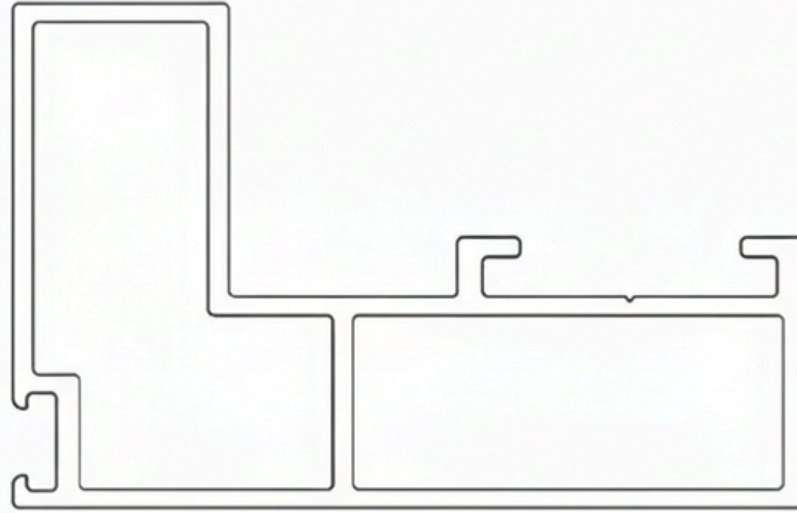
TOP HUNG FRAME



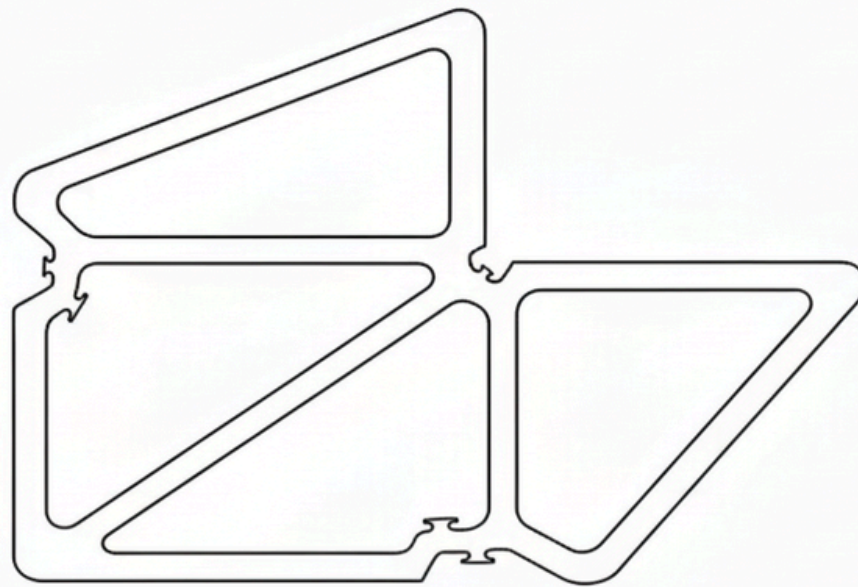
WINDOW VENT INSIDE



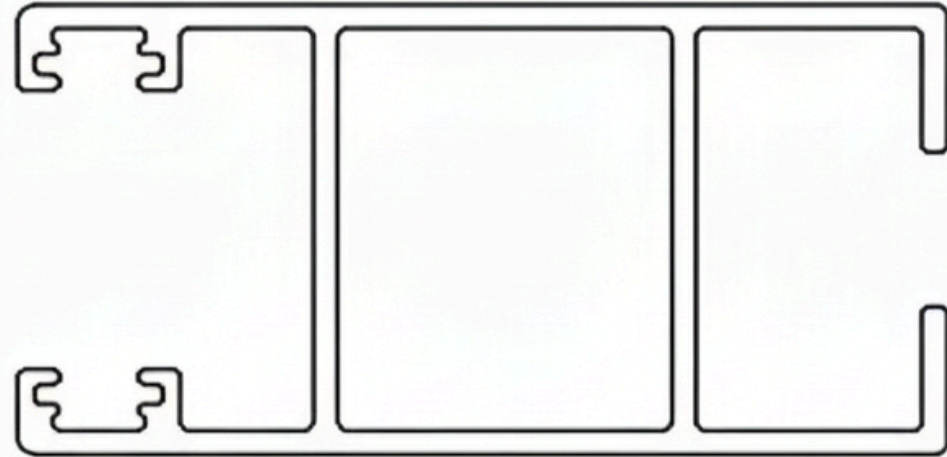
TOP HUNG FRAME



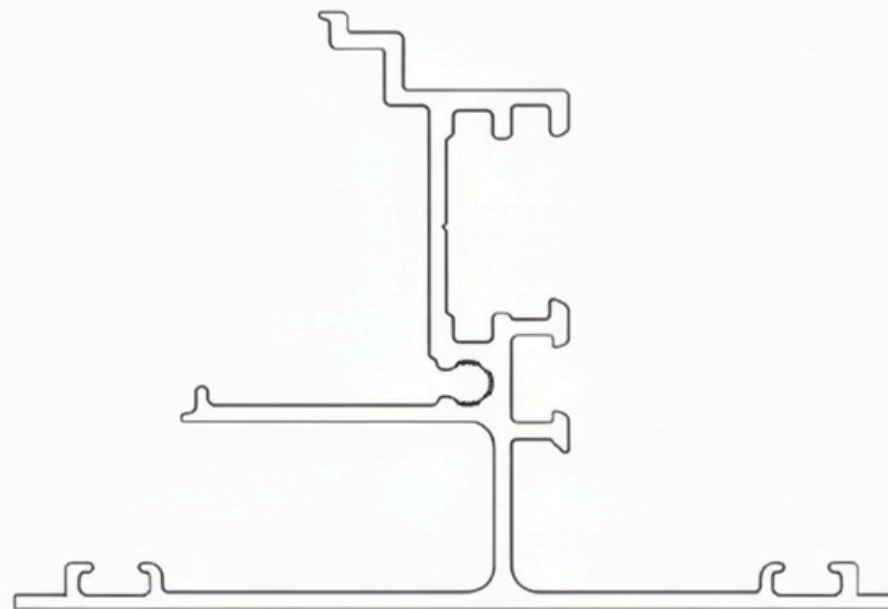
CORNER CLEA VENT



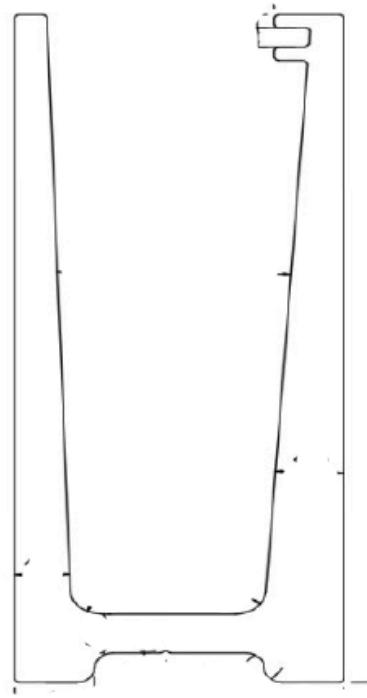
VERTICAL VENT



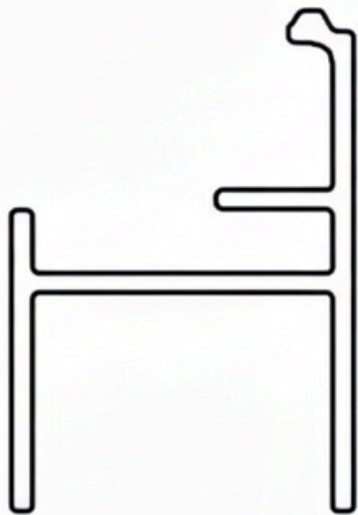
DOUBLE CASEMENT PROFILE



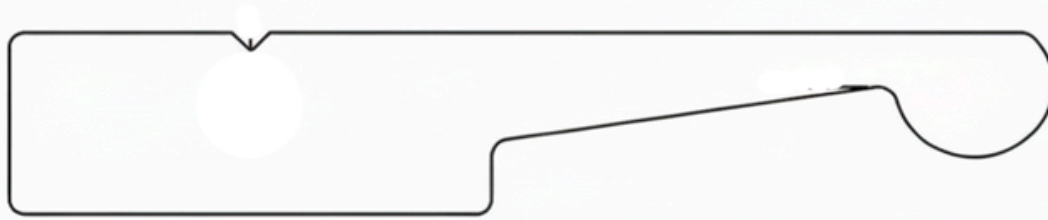
HANDRAIL



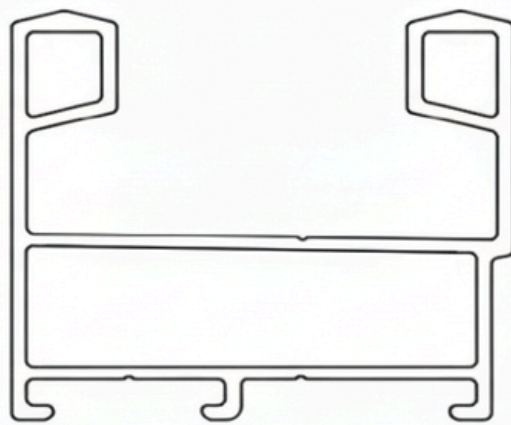
ATTACHMENT PROFILE



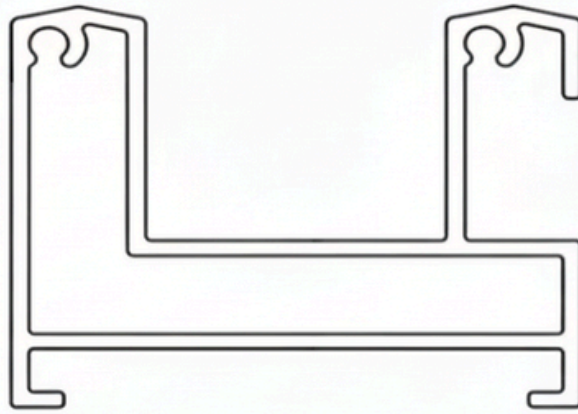
GLASS TOGGLE



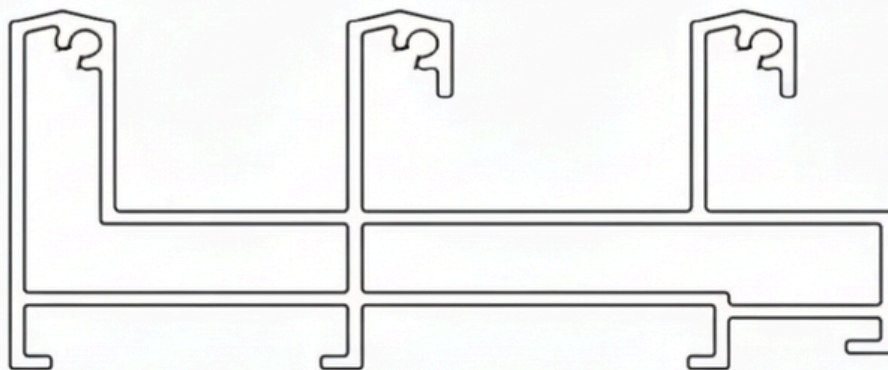
FRAME



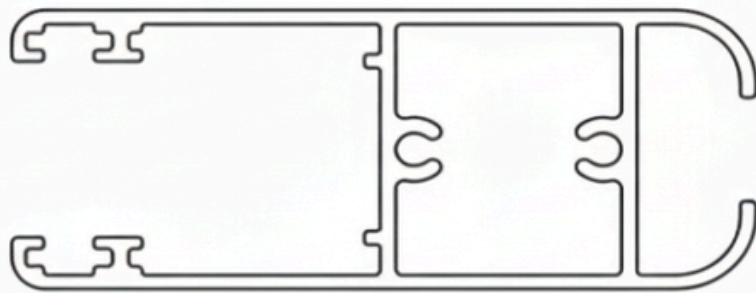
DOMAL 2.TRACK



DOMAL 3 TRACK



DOMAL SHUTTER



DOMAL INTERLOCK

